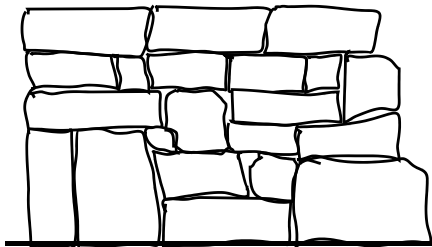
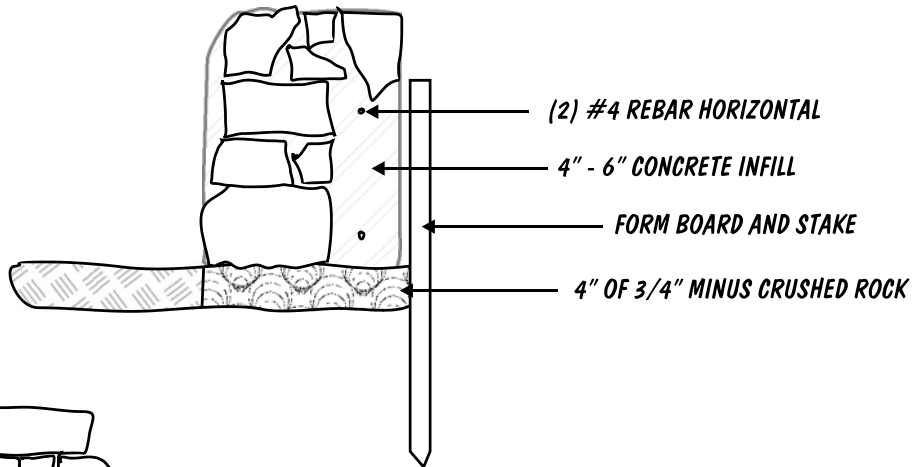
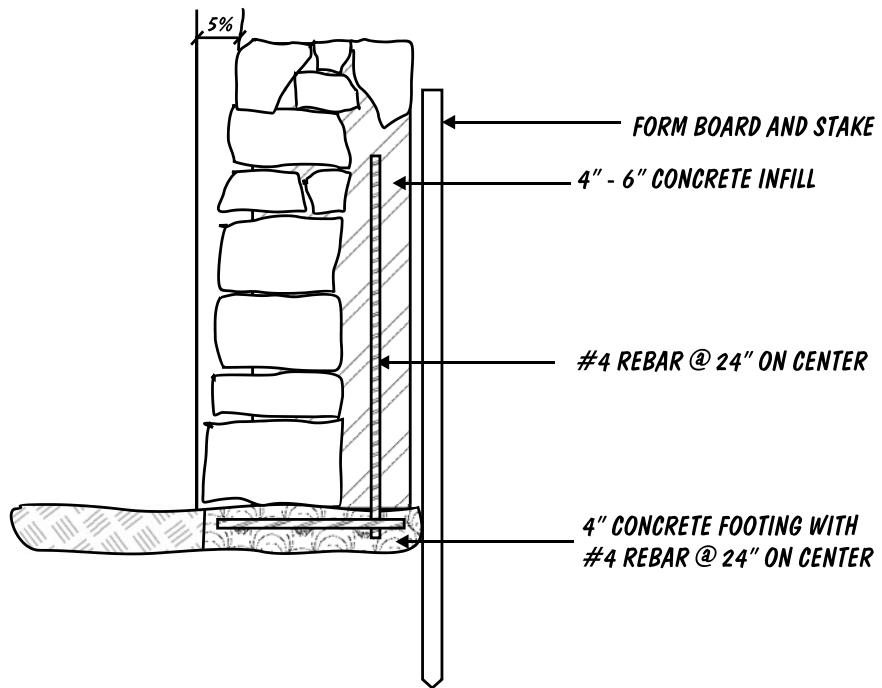


**1'-2' STRUCTURAL  
DRystack  
STONEWALL DETAIL**



**'TWO OVER ONE'  
PATTERN**

**2' - 4' STRUCTURAL  
DRystack  
STONEWALL DETAIL**



**Notes**



712 N. HILL BLVD  
BURLINGTON, WA98233  
PHONE 360.757.8090  
FAX 360.757.8061  
INFO@CASCADESTONESUPPLY.COM